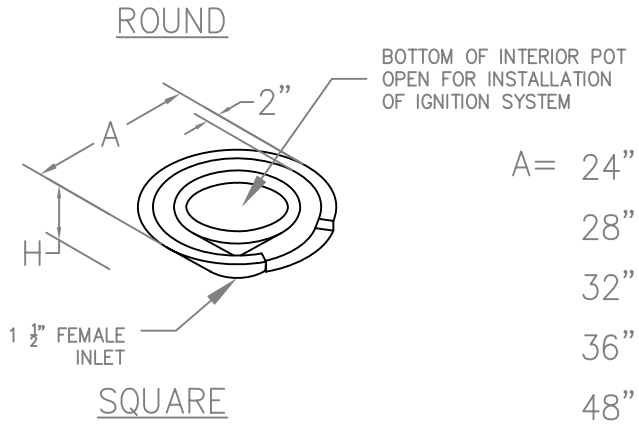


SEAMLESS LIP PO POT WITH DOUBLE FIRE POT ORDER FORM

STANDARD SIZES

1. CIRCLE ROUND OR SQUARE AND
SELECT THE OUTSIDE DIMENSION



2. CIRCLE THE HEIGHT (Dimension H)

LOW - 7"
MEDIUM - 12"
HIGH - 16"

3. CHOOSE A MATERIAL

- | | |
|---|--|
| <input type="checkbox"/> COPPER | <input type="checkbox"/> TRANSLUCENT GREEN |
| <input type="checkbox"/> STAINLESS STEEL | <input type="checkbox"/> TRANSLUCENT BLUE |
| <input type="checkbox"/> HAND HAMMERED COPPER | <input type="checkbox"/> TRANSLUCENT COPPER |
| <input type="checkbox"/> TRANSLUCENT RED | <input type="checkbox"/> TRANS. BLACK CHROME |

4. QUANTITY _____

NOTE:

STANDARD BASE IS HALF OF DIMENSION "A"
O.D. OF INSIDE POT IS "A" MINUS 12"
SPILLWAY IS DIMENSION "A" MINUS 4"

Firesidexpressions.com - 1-888-986-1535

Name:

Address:

City:

State:

Zip Code:

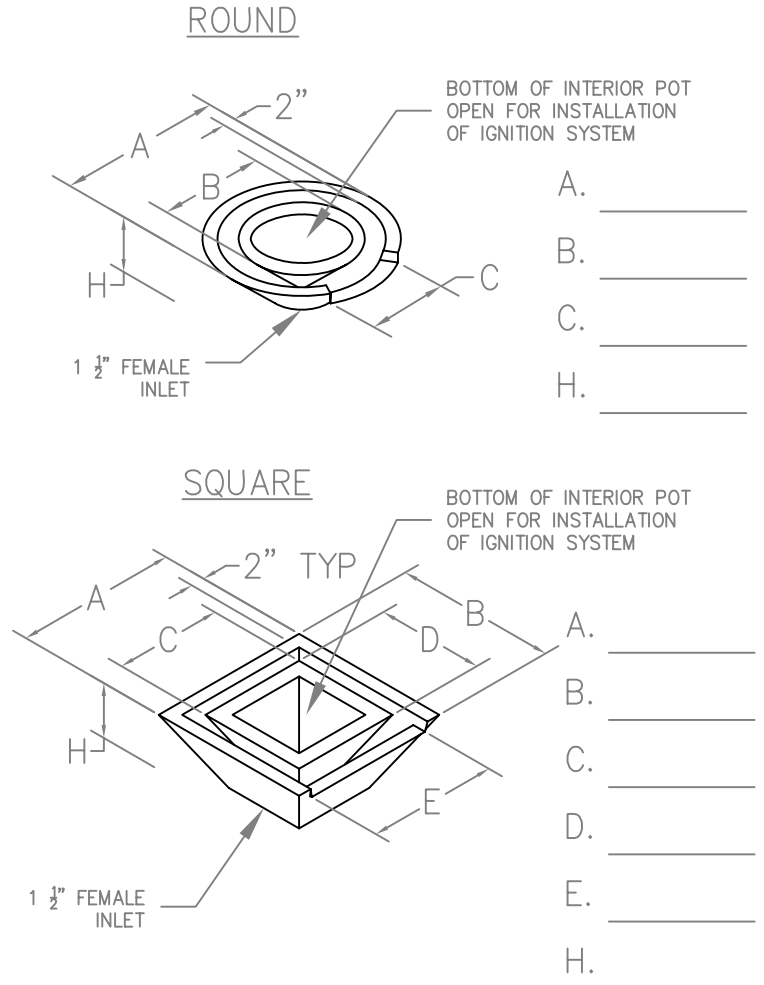
Phone:

Email:

FAX FORM TO: 814-723-4187

CUSTOM SIZES

1. CIRCLE ROUND OR SQUARE AND
OR FILL IN THE APPROPRIATE DIMENSIONS



2. CHOOSE A MATERIAL

3. QUANTITY _____